

# Pneumatic Control System Accessories

Models 2185, 2690, 2760,  
2768, 2790B and 4125

## Overview

All of the accessories shown are for use with other AMOT safety and sequencing components in any pneumatic control systems.

## Product Description

**Model 2185** – Used to restrict flow in timing circuits or used to prevent damage due to sudden application of pressure. Available in multiple diameters.

**Model 2690** – Used in timing circuits in conjunction with the 2185 orifice. It is used to delay the pressure build up required to open or pressure loss to close a valve.

**Model 2760** – Used in circuits to control the direction of flow.

**Model 2768** – Used to dump pressure quickly on devices with large volumes such as valve bonnets or long tubing runs.

**Model 2790B** – Enables continuous pressurization of a single device in a circuit as the pressure transitions from one source to a different source.

**Model 4125** – Used on vent ports, it allows flow in a single direction to prevent dirt, corrosive atmospheres, and insects from entering the control systems.



**Model 2185  
Orifice**



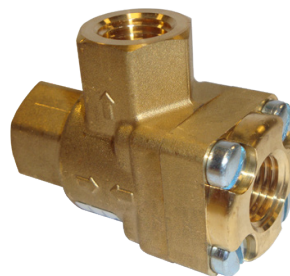
**Model 2690  
Accumulator**



**Model 2760  
Check Valve**



**Model 2768  
Quick Release Valve**



**Model 2790B  
Shuttle Valve**



**Model 4125  
Vent Closure**

amot

[www.amot.com](http://www.amot.com)

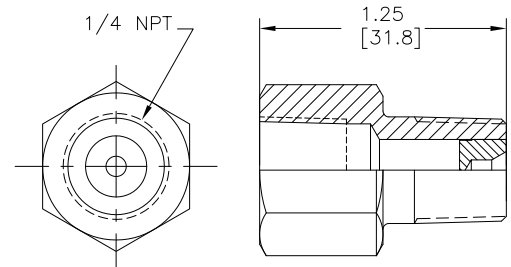
# Pneumatic Control System Accessories



## 2185 Orifice

### Specification

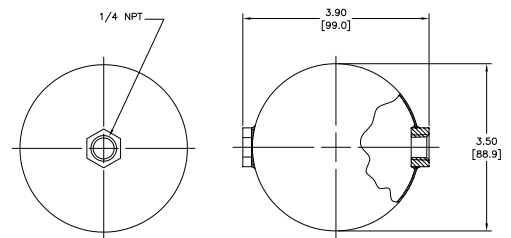
<b>Flow coefficient</b>	See "How to order" for details	
<b>Material</b>	See "How to order" for details	
<b>Maximum pressure</b>	20.68 bar	(300 psi)
<b>Net weight</b>	170.1 g	(6 oz)



## 2690 Accumulator

### Specification

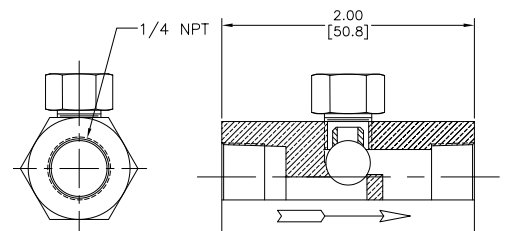
<b>Material</b>	<b>2690L001</b>	<b>Stainless steel 304L</b>
<b>Capacity</b>	<b>0.35L</b>	<b>(21 cu in)</b>
<b>Threading</b>	<b>1/4 - 18 NPT</b>	
<b>Max. pressure</b>	<b>21 bar</b>	<b>(300 psi)</b>
<b>Net weight</b>	<b>0.2 kg</b>	<b>(7 oz)</b>



## 2760 Check Valve

### Specification

<b>Material</b>	7/8 brass hex.	
<b>Max. pressure</b>	20.68 bar	(300 psi)
<b>Min. pressure to open</b>	0.14 bar	(2 psi)
<b>Flow coefficient</b>	Cv = 0.3	(Kv = 0.26)
<b>Net weight</b>	170.1 g	(6 oz)
<b>Threading</b>	1/4 - 19 BSP (PL) both ends	



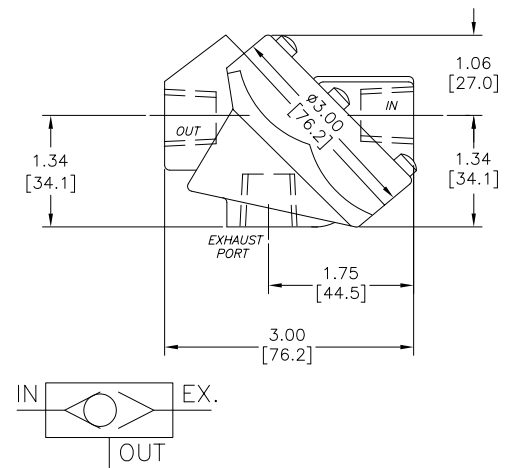
# Pneumatic Control System Accessories



## 2768 Quick Release Valve

### Specification

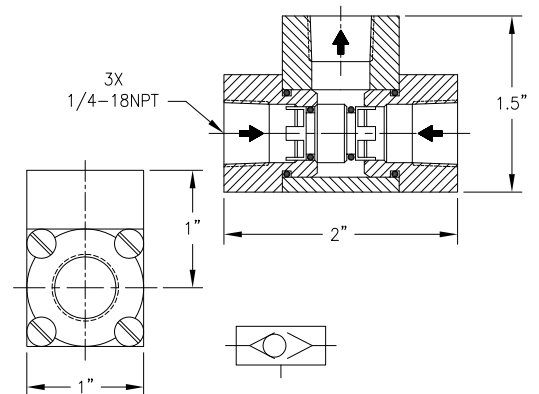
<b>Max. pressure</b>	17.2 bar	(250 psi)
<b>Differential to release</b>	0.34 bar	(5 psi)
<b>Flow coefficient</b>	In to out	Cv = 2.5 (Kv = 2.15)
	Out to exhaust	Cv = 2.0 (Kv = 1.72)
<b>All ports</b>	3/8 NPT	
<b>Net weight</b>	0.34 kg	(3/4 lb)
<b>Shipping weight</b>	0.45 kg	(1 lb)



## 2790B Shuttle Valve 1/4 NPT

### Specification

<b>Material</b>	Brass	
<b>Max. pressure</b>	10.3 bar	(150 psi)
<b>Pressure differential to operate</b>	0.34 bar	(5 psi)
<b>Flow coefficient</b>	Cv = 1.6	(Kv = 1.38)
<b>Net weight</b>	0.45 kg	(1 lb)
<b>Threading</b>	1/4 - 18 NPT	

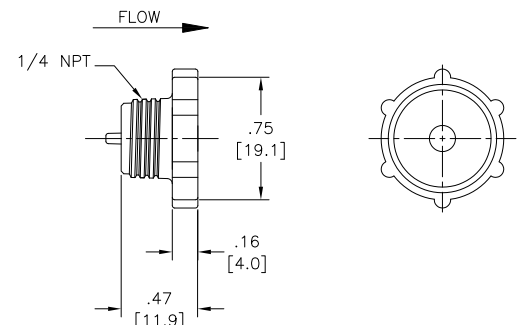


## 4125 Vent Closure for 1/4 NPT Thread

### Specification

<b>Body material</b>	Plastic
<b>Valve material</b>	Silicon rubber
<b>Thread</b>	1/4" NPT

Used for excluding dirt, corrosive atmospheres, and insects from critical internal working parts of controls. (Note: This is not a "breather", It will exhaust only.)



# Pneumatic Control System Accessories

## How to order

Use the table below to select the model code of your pneumatic control system accessory

Example Model Code	2185L	10	3	Comments			
Orifice	2185L			Basic model code			
				Material	Thread		
Material and Thread		00		Brass	1/4 NPT*		
		01		Nickel Plated Brass	1/4 NPT*		
		10		Aluminum	NPT		
		11		Aluminum	BSP (PL)		
		20		Stainless Steel	NPT		
		21		Stainless Steel	BSP (PL)		
				Orifice Diameter		Flow Coefficient	
				Inch	mm	Cv	Kv
Size and Flow Coefficient		1		0.014	0.34	0.004	0.0034
		2		0.031	0.8	0.020	0.017
		3*		0.125	3.18	0.470	0.404
		4*		0.040	1.0	0.030	0.026
		5		0.062	1.57	0.100	0.086

Note: 2185L003 and 2185L004 are only available in 1/4 BSP (PL)

Product	Model Code	Comments
Accumulator	2690L001	Stainless Steel
Check Valve	2760	7/8 Brass hex.
Shuttle Valve 1/4 NPT	2790B	Brass
Quick Release Valve	2768	Black Epoxy Finish
Vent Closure for 1/4 NPT Threaded	4125	Body: Plastic Valve: Silicon Rubber

### **Europe, Middle East and Africa**

---

AMOT  
Western Way  
Bury St Edmunds  
Suffolk, IP33 3SZ  
England

Tel +44 (0) 1284 715739  
Fax +44 (0) 1284 760256  
Email info@amot.com

AMOT Controls GmbH  
Rondenbarg 25  
22525 Hamburg  
Germany

Tel +49 (0) 40 8537 1298  
Fax +49 (0) 40 8537 1331  
Email germany@amot.com

### **Americas**

---

AMOT USA  
8824 Fallbrook Dr  
Houston  
TX 77064  
USA

Tel: +1 (281) 940 1800  
Fax +1 (713) 559 9419  
Email customer.service@amot.com

### **Asia Pacific**

---

AMOT Shanghai  
Bd. 7A, No. 568, Longpan Rd., Malu  
Jiading  
Shanghai 201801  
China

Tel: +86 21 5910 4052  
Fax: +86 21 5237 8560  
Email: shanghai@amot.com