

Pneumatic Warning Indicator

Models 4229B & 4429B


Typical applications

- Quick and reliable visual indication of pneumatic system status.

Key features and benefits

- High contrast display
- 180° Visibility
- Panel Mounted
- Seven Color Combinations Available
- Pressure Actuated, Spring Return
- Inherently Explosion-proof
- Aluminum or Stainless Steel Body
- ¼" Pipe Connection

Accreditations available

- PED Suitable for Group 1 & 2 gases (Ensure materials are compatible)
- ATEX  II 2G TX X
- CE Complies with all relevant EU directives



Model 4429B Stainless Steel Pneumatic Warning Indicator

Pneumatic Warning Indicator - Models 4229B/4429B

Contents

Overview	3
Operation	3
Installation Factors	3
How to Order	4
Dimensions	5
Specification	5
Maintenance and Service Parts	6
Contact	7

Pneumatic Warning Indicator - Models 4229B/4429B

Overview

AMOT Model 4229/4429 Pneumatic Indicator offers an inexpensive, highly effective means of displaying the status of pneumatic components in a system.

Operation

AMOT Model 4229/4429 Pneumatic Indicator is used as an accessory to provide a quick and reliable, visual indication of the status of a pneumatic system. The unit shows a black or red display in the non-pressurized condition and is designed to be panel mounted. The large $\frac{5}{8}$ " diameter "Pressure On" display is visible when pressure is applied. The high contrast between the flat black or red "At Rest" condition and the "Pressure On" display is abrupt and unmistakable. The pins which comprise the display are visible for 180° around the unit and may be ordered yellow, white, green, or red.

In the non-pressurized condition, the array of nineteen indicator pins is concealed within the matrix of the pin guide. When the minimum operating pressure is applied to the port, the pins extend through the matrix. They will remain in the forward visible condition until the pressure is removed. It is satisfactory for use with clean, dry air or gas in systems with pressures from 1.4 to 10.3 bar (20 to 150 psi). The Indicator does not consume air or gas in either condition. It is non-electric and inherently explosion-proof.

AMOT designs and tests all products to ensure that high quality standards are met. This product should last for many years. For good product life, carefully follow AMOT's installation and maintenance instructions; failure to do so could result in damage to the equipment being protected.

Installation Factors *(refer to diagram on page 6)*

Model 4229/4429 is suitable for horizontal or vertical mounting on panels to $\frac{1}{4}$ " thick. A $1\frac{3}{16}$ " diameter panel hole is required. Center-to-center dimension between 4229/4429 units should be $1\frac{1}{2}$ " minimum.

- When mounting, first remove the nut ⑥.
- Then slip the unit into the panel hole.

- Install nut ⑥ and secure the unit by tightening the nut.
- When making pipe connections, apply a quality thread sealant such as Loctite™ Pipe Sealant to pipe threads.

Pneumatic Warning Indicator - Models 4229B/4429B

How to Order

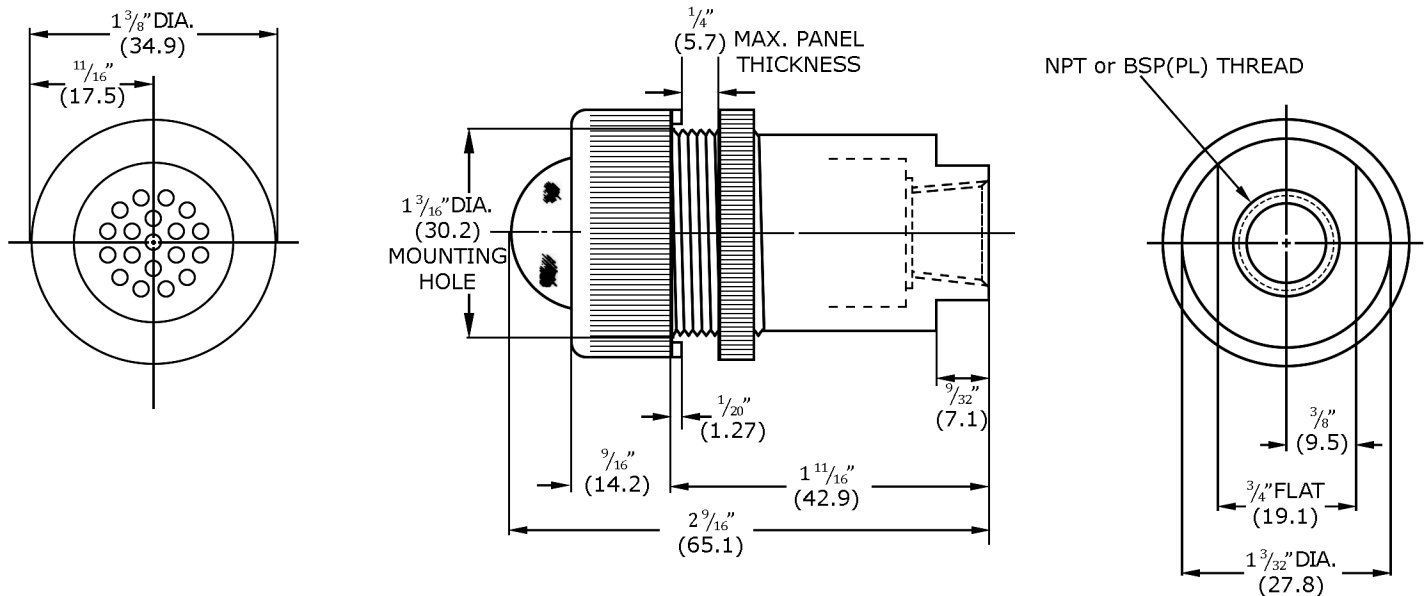
Use the table below to select the unique specification of your 4229B/4429B Pneumatic Warning Indicator.

Example	4229B	1	C	2	Code description		Comments
					Model (A)		
Model (A)	4229B				Aluminum		Gulfproofed
	4429B				Stainless steel		
					Thread (B)		
Thread (B)		1			NPT		
		3			BSP (PL)		Model (A) = 4229B ONLY
					Indicator color (C)		
					Pressurized	Unpressurized	
Indicator color (C)		A			Yellow	Black	
		B			White		
		C			Green		
		D			Red		
		E			Yellow	Red	
		F			White		
		G			Green		
					Seal material (D)		
Seal material (D)		1			Buna N/Nitrile		
		2			Viton		
					Special requirements (E)		
Special requirements (E)		'blank'			Standard		
		-AA			Standard		May be omitted, UK ONLY
		-***			Made-to-order		

Pneumatic Warning Indicator - Models 4229B/4429B

Dimensions

Dimensions - inches (mm)



Specification

	Metric units	English units
Standard materials		
Body, bezel and nut	4229B 4429B	Black gulfproofed aluminum 316 stainless steel
Lens and guide	Polycarbonate	
Indicator	Polypropylene	
Piston	Ryton	
Seal ring	Standard Optional	Buna N/Nitrile Viton
Operating pressure	1.4 - 10.3 bar	20 - 150 psi
Operating temperature	1.6 - 65.6°C	35 - 150°F
Net weight	113 g	1/4 lbs
Shipping weight	198 g	7/16 lbs

Pneumatic Warning Indicator - Models 4229B/4429B

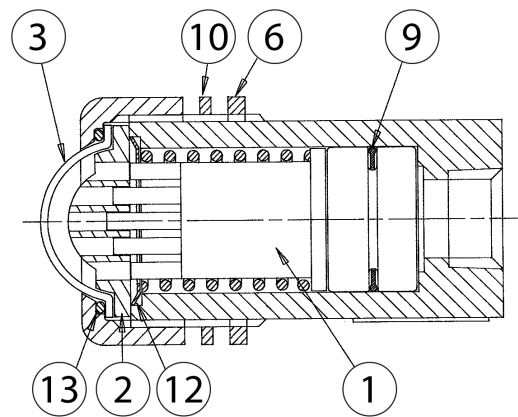
Maintenance and Service Parts

Over time, exposure to foreign chemicals and particulate matter as well as prolonged operation at extreme conditions may reduce the effectiveness of the indicator. At such time, AMOT Pneumatic Warning Indicators can be restored to original performance by replacing the service parts. Service parts for AMOT Pneumatic Warning Indicators include seals and seal components required for normal maintenance. Please order service parts using the part numbers, quantities and descriptions given in the service parts table below.

Periodic inspection, cleaning and lubrication is the only maintenance these units should require. The indicator should be checked after reassembly and at least MONTHLY for proper functioning.

AMOT designs and tests all its products to ensure that high quality standards are met. For good product life, carefully follow AMOT's installation and maintenance instructions; failure to do so could result in damage to the equipment being protected or controlled.

Service parts				
Ref no.	Part no.	Qty.	AMOT part description	Valve part number restrictions
1	9501L001	1	Indicator - Yellow	Indicator color (C) = A, E
	9501L002	1	Indicator - White	Indicator color (C) = B, F
	9501L003	1	Indicator - Green	Indicator color (C) = C, G
	9501L004	1	Indicator - Red	Indicator color (C) = D
2	9505	1	Guide - Black	Indicator color (C) = A - D
	9505L001	1	Guide - Red	Indicator color (C) = E - G
3	9506	1	Lens	None
9	7898L001	1	Seal ring - Buna N	Seal material (D) = 1
	7898L002	1	Seal ring - Viton	Seal material (D) = 2
10	9630	1	Ring	None
12	361L093	1	Retaining ring	None
13	270	1	O ring - Buna N	Seal material (D) = 1
	712	1	O ring - Viton	Seal material (D) = 2
-	ISB-4229-4429-001	1	4229B/4429B Installation and Service Bulletin	



Pneumatic Warning Indicator - Models 4229B/4429B

Contact

Americas

AMOT USA
8824 Fallbrook Dr.
Houston, TX 77064
USA

Tel: +1 (281) 940 1800
Fax: +1 (713) 559 9419
Email: customer.service@amot.com

Asia Pacific

AMOT Shanghai
Bd. 7A, No. 568, Longpan Rd., Malu Jiading
Shanghai 201801
China

Tel: +86 21 5910 4052
Fax: +86 21 5237 8560
Email: shanghai@amot.com

Europe, Middle East and Africa

AMOT UK
Western Way
Bury St. Edmunds
Suffolk, IP33 3SZ
England

Tel: +44 1284 715739
Fax: +44 1284 760256
Email: info@amot.com

AMOT Germany
Rondenbarg 25
22525 Hamburg
Germany

Tel: +49 40 8537 1298
Fax: +49 40 8537 1331
Email: germany@amot.com

WARNING

These products can expose you to chemicals including carbon black (airborne and extracts), antimony trioxide, titanium dioxide, silica (crystalline), di(2-ethylhexyl)phthalate, ethylene thiourea, acrylonitrile, 1,3-butadiene, epichlorohydrin, toluenediisocyanate, tetrafluoroethylene, ethylbenzene, formaldehyde, furfuryl alcohol, glass fibers, methyl isobutyl ketone, nickel (metallic and compounds), lead and lead compounds which are known to the state of California to cause cancer; and 1,3 butadiene, epichlorohydrin, di(2-ethylhexyl)phthalate, di-isodecyl phthalate, ethylene thiourea, methyl isobutyl ketone, toluene, lead and lead components which are known to the state of California to cause birth defects and other reproductive harm. For more information go to www.P65Warnings.ca.gov.