

Overview

Model RS1A is a compact swing gate air cutoff valve available with electric or mechanical actuation. When actuated, the RS1A closes the valve's sealing element which shuts off intake air flow into the engine. It can be used in fully automatic or manual shutdown systems.

Contact us for more information.

Features and Benefits

- Easy to install and maintain
- Lightweight, compact design
- Corrosion resistant aluminum and stainless steel construction
- Used in manual and automatic actuation systems:
 - Electric
 - Mechanical
- Wide variety of installation kits for most installations

Applications

- Drilling rigs (onshore & offshore)
- Drilling support equipment
- Well servicing equipment
- Refinery support equipment
- Bulk haulers and tankers
- Generator sets
- Mining equipment
- Construction equipment
- Emergency response vehicles and equipment
- Aircraft support equipment
- Work boats
- Barges
- Agriculture equipment



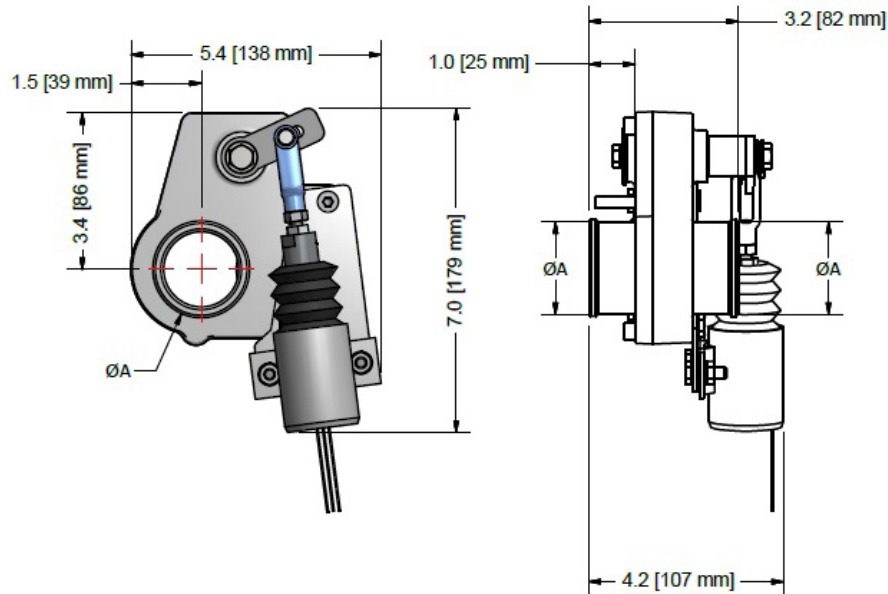
Valve Size

RS1A is available in several standard sizes for intake air lines ranging from 1 1/8" to 2 1/2" (29 - 64 mm) diameter. Standard sizes for hose and V-clamp attachments are listed below. Contact factory for additional sizes to meet specific application requirements.

Attachment Sizes	
1"	25 mm
1 1/8"	29 mm
1 1/4"	32 mm
1 3/8"	35 mm
1 1/2"	38 mm
1 5/8"	41 mm
1 3/4"	44 mm
1 7/8"	48 mm
2"	51 mm
2 1/8"	54 mm
2 1/4"	57 mm
2 3/8"	60 mm
2 1/2"	64 mm

Dimensions

Electrically Actuated



Specifications

Standard materials

Valve body: Aluminum
 Gate arm: Plated steel
 Sealing element: Floating phenolic disc
 Seals: Silicon standard
 Solenoid housing: Plated steel

Net weights (including actuator)

Manual actuation: 2.5 lbs. (1.2 kg)
 Standard solenoid actuation: 3.5 lbs (1.6 kg)

Intake air temperature range

Standard valve: -40°F to 203°F (-40°C to 95°C)

Ambient air temperature range

Standard valve: -40°F to 203°F (-40°C to 95°C)

Electric solenoid actuation - Standard solenoid

Nominal 12 VDC power requirement: 70.5 amp pull in (0.9 amp hold)
 Nominal 24 VDC power requirement: 36.4 amp pull in (0.5 amp hold)
 Power-to-close, with auto reset

Manual actuation

Mechanical pull to release: 15 lbs (125 Newton)
 Pull-to-close, manual reset

Contact us for more information

AMOT - USA
 Tel +1 (281) 940 1800
 Fax +1 (713) 559 9419
 sales@amot.com

Roda Deaco - Canada
 Tel +1 (780) 465 4429
 Fax +1 (780) 469 6275
 info@rodadeaco.com

AMOT - China
 Tel +86 21 6279 7700
 Fax +86 21 5237 8560
 shanghai@amot.com

AMOT - Singapore
 Tel +65 6408 6265
 Fax +65 6293 3307
 singapore@amot.com

Chalwyn - England
 Tel +44 (0) 1284 715739
 Fax +44 (0) 1284 760256
 sales@chalwyn.com

AMOT - Germany
 Tel +49 (0) 40 8537 1298
 Fax +49 (0) 40 8537 1331
 germany@amot.com

www.rodadeaco.com